



WAREMA black-out system with ZIP guidance

Type VDA-ZIP

Instructions for use and maintenance

To be handed over to the operator – original operating manual

Table of contents

Table of contents

1	Introduction	3
1.1	Information on safety	3
1.2	Information on the target group and application of these instructions	3
1.3	Explanation of symbols and signs	3
1.4	Important safety information	4
2	Product information	4
2.1	Parts description.....	4
2.2	Technical data/accessories	4
2.3	Intended use.....	5
2.4	EC conformity.....	5
3	Operation	6
3.1	Operating the black-out blind drive.....	6
3.2	Operation using the central control unit.....	6
3.3	Incorrect operation	7
4	Care/maintenance	7
4.1	General information on care and maintenance.....	7
4.2	Care instructions	8
4.3	Maintenance instructions.....	9
5	Warranty.....	9
6	Spare parts/repairs.....	9
7	Dismantling/disposal	9
8	Troubleshooting	10
9	EC Declaration of Conformity.....	11

1 Introduction

1.1 Information on safety

It is important to **follow these instructions** in the interests of **personal safety**. Failure to comply with these instructions when operating the product may result in **personal injury and/or property damage**. Failure to comply with these instructions relieves WAREMA of liability.



Warnings are marked with these symbols in the instructions.



- Read through the instructions carefully **before** use.
- Keep the instructions for use until you dispose of the product.
- Include these instructions if you pass the product on to a new owner.
- Please observe all safety, operating and maintenance instructions.

1.2 Information on the target group and application of these instructions

Target group

These instructions are directed at people who operate, care for and/or maintain the product.

Contents

These instructions are part of the operating manual and are an integral part of this product. The instructions contain important information on the operation, care and maintenance of this item. They describe the operation of black-out blinds with ZIP guidance and motor operation. Other drives and special solutions are not dealt with.

Permissible activities

No other alterations, additions, conversions or maintenance work are to be carried out on the product other than as described in these instructions without the written approval of WAREMA.

1.3 Explanation of symbols and signs

Safety information and symbols are contained in the appropriate parts of the text.

Symbol	Use/explanation
	DANGER Identifies an imminent danger that may result in death or serious injury if not prevented.
	WARNING Identifies a potential danger that may result in death or serious injury if not prevented.
	CAUTION Identifies a potential danger that may result in minor injury or property damage if not prevented.
	Read the instructions for use and maintenance.
	Note Important information on how to proceed and on the content of these instructions.
	Activity/step
	List

1.4 Important safety information

The safety instructions and warnings described here are intended to safeguard your health as well as protect the product. The following points must be **read through carefully**.

Damage resulting from inappropriate use or the failure to observe these instructions or safety information is **not** covered by the guarantee. Liability will **not** be accepted for secondary damage.

General conditions



Risk of fatal injury from installation error!

Installation in front of emergency exits and escape doors is **not** permitted.

Operating notes



Risk of crushing injuries!

When raising and lowering the product, do not reach into movable parts (e.g. between the drop profile and fabric shaft).



Risk of injury due to static charge!

Contact with persons or objects may result in electrostatic discharge from statically charged fabric.



Product damage and property damage from carelessness during operation!

The projection area of the product must be kept clear of fixed and movable obstacles.



Product damage from operation of faulty product!

Only operate the black-out blind if it is in technically perfect condition. If the black-out blind makes unusual noises or movements, stop using it immediately. Inform your qualified specialist.

2 Product information

2.1 Parts description

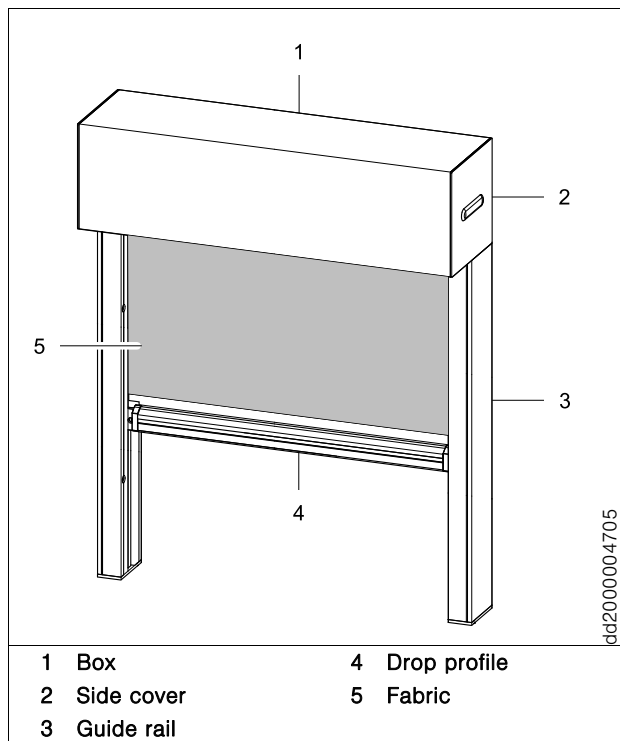


Fig. 1: Parts overview of black-out blind with ZIP guidance

2.2 Technical data/accessories

Details for electric drive

Parameter	Value
Rated torque	8 – 40 Nm
Revolutions (idling)	17 rpm
Mains voltage	230 V AC/50 Hz
Current consumption	0.45 – 1.15 A
Power	100 – 260 W
Degree of protection	IP 44
Safety class	I
Short-term operation (S2)	4 minutes
Limit switch range	64 revolutions

Tab. 1: Electrical drive data (overview)

NOTE

Tab. 1 is a summary of the data for the motors that can be used with this product. For specific information, refer to the setting instructions included for the motor.

Accessories

A wide range of control devices is available for our sun shading control systems to give you optimum control of the product.

2.3 Intended use

The black-out blind with ZIP guidance is a sun shading system that may only be used for the intended purpose (e.g. protection against heat and glare and to provide visual privacy). Inappropriate use may result in significant danger.

Additional loads on the black-out blind in the form of hanging objects could damage the product or cause it to detach from the wall and are therefore not permitted.

The intended use also includes observing these instructions and the care and maintenance conditions.

2.4 EC conformity

The EC conformity is certified, and the corresponding EC declaration of conformity (see Chapter 9/p. 11) is part of these product-specific operating and maintenance instructions. In order to maintain this condition and ensure safe operation, you as the operator are obliged to observe the instructions for use and maintenance.



Name: WAREMA Renkhoff SE

Year of declaration of conformity: 2011

Head office: Hans-Wilhelm-Renkhoff-Straße 2
97828 Marktheidenfeld
Germany

Standard: DIN EN 60335-2-97

Product: Black-out blind

Intended use For inside installation

Noise emission level¹: < 70 dB (A)

¹ In a standard installation of the black-out blind on a test stand, the noise emission level is <70 dB(A). This value may vary depending on the installation.

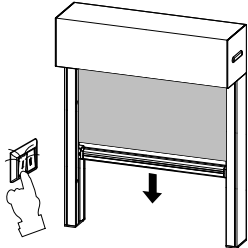
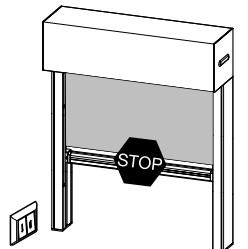
3 Operation

NOTE

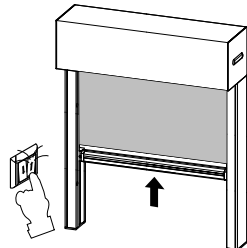
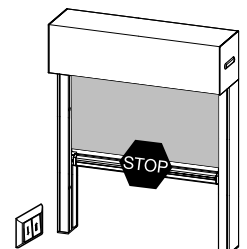
Only operate the product if it is in technically perfect condition.

3.1 Operating the black-out blind drive

Lowering using the sunblind push button/venetian blind switch

	<ul style="list-style-type: none"> ■ Press the "DOWN" button and hold if necessary. <p>or</p> <ul style="list-style-type: none"> ■ Turn the toggle switch to the right and hold if necessary.
	<p>Stop the black-out blind in any intermediate position:</p> <ul style="list-style-type: none"> ■ Release the "DOWN" button or press the "Stop" button. <p>or</p> <ul style="list-style-type: none"> ■ Release the toggle switch or turn it back. <p>The drive switches off automatically in the lower limit position.</p>

Raising using the sunblind push button/venetian blind switch

	<ul style="list-style-type: none"> ■ Press the "UP" button and hold if necessary. <p>or</p> <ul style="list-style-type: none"> ■ Turn the toggle switch to the left and hold if necessary.
	<p>Stop the black-out blind in any intermediate position:</p> <ul style="list-style-type: none"> ■ Release the "UP" button or press the "Stop" button. <p>or</p> <ul style="list-style-type: none"> ■ Release the toggle switch or turn it back. <p>The drive switches off automatically in the upper limit position.</p>

3.2 Operation using the central control unit



CAUTION

Product damage from failure of the external control unit! The control unit is not functional under extreme conditions (e.g. power failure or malfunctions).

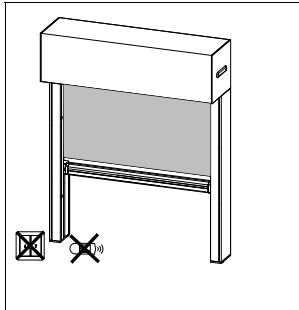
- Set the external control unit to manual if you are going to be away.

NOTE

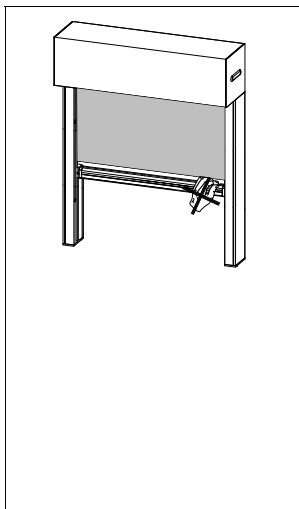
- Adjust the **central control unit** in such a way that continuous operation of the motor is avoided. The motors used in these products are **not** intended for continuous operation. The integrated thermal protection will switch the motor off after approx. **4 minutes**. The product will be **ready for use** again after approx. **10 to 15 minutes**.
- Instructions on how to operate this feature are contained in a **separate manual**.

3.3 Incorrect operation

Access to operating elements

	<ul style="list-style-type: none"> ■ Never let children play with the operating elements of the black-out blind – such as the hand-held transmitter or switches. ■ Keep the hand-held transmitter away from children.
---	---

Area of movement: danger of crushing, shearing and entanglement

	<ul style="list-style-type: none"> ■ When lowering and raising, do not reach between the movable parts as this may lead to crushing or shearing between the drop profile and other attached parts. ■ Keep people away from the black-out blind while the product is in motion. <p>Products with electrical control units may start moving at any time and without prior notice. Ensure that dangerous situations do not arise.</p>
--	--

4 Care/maintenance

4.1 General information on care and maintenance

Proper and regular care and maintenance and the use of original spare parts only are essential for fault-free operation and a long product life.

NOTE

Ensure that the product is not moved during maintenance and repair work in its direct proximity – e.g. window-cleaning.

A monitored, overriding locking mechanism must prevent every kind of operation.



WARNING

Risk of injury and product damage from operation of the product while it is out of sight!



- De-energise and lock out the product.
- Do not operate the product during maintenance and cleaning work.
- Disconnect the product from the automatic control and/or power supply.



CAUTION

Risk of injury due to static charge.

Contact with persons or objects may result in electrostatic discharge from statically charged fabric.



DANGER

Risk of injury and falling!

- Do not rest climbing aids against the product.
- Climbing aids must rest on a solid foundation and offer good support.

4.2 Care instructions



To ensure the longest possible life, we recommend you clean the surface of the product **regularly** or at least once a year.

If the first cleaning takes place years after initial installation, the product cannot be returned to its original condition.

Replacement claims cannot be honoured on the grounds of these cleaning and care instructions because the effectiveness of these measures depends on a large number of factors that vary from case to case.



WARNING

Risk of injury and damage to the product from inappropriate cleaning!

- **Do not** use high pressure washers, abrasive cleansers, abrasive sponges or solvents such as alcohol or naphtha.
- **Do not** support yourself on the product or parts of the product.
- Perform a functional check with the product. Watch the product as it travels the full range of movement and look out for any unusual behaviour or noises.
- Clean the product regularly (see "Cleaning procedure" table). Lower the black-out blind.

Cleaning procedure

	Wash the fabric with a mild detergent solution (water max. 30°C). A special waterproofing agent has been applied to acrylic fabrics. This waterproofing layer is diminished every time the fabric is washed.
	Clean the surfaces with a suitable cleaning agent.
	Remove dirt or objects from the product. Fallen leaves create the conditions necessary for microbial activity.
	Use a clear rubber eraser to rub dirty marks off the fabric.
	Brush off the fabric (only for coated polyester fabrics).

- Inspect the operating elements and fabric for visible wear and damage.
- Check the substructure for damage.
- Have any damage repaired by a qualified specialist as soon as possible.
- Have any damage repaired by a qualified specialist as soon as possible. Raise the black-out blind and take it out of service.

4.3 Maintenance instructions



The product **must** be maintained regularly and at least once a year.

Inspection and maintenance work is **only** to be carried out by an appropriately qualified specialist. We recommend you take out a maintenance agreement with a qualified specialist.

The WAREMA warranty becomes invalid if the unit is not cleaned properly at least once a year.



DANGER

Risk of injury through irregular maintenance!

- Check the product regularly for signs of wear and damage, e.g. on the motor line.
- Do **not** use products in need of repair. In this case, move the products to the upper limit position and take them out of service.



DANGER

Electric shock!

When inspecting or maintaining electrical parts, the unit must be de-energised and locked out.

- Check the function and the limit positions of the product.
- Check the product for visible wear, for damage to the motor line and to ensure it is securely attached (e.g. check that the screws have a firm hold).
- Check that the guide rail fixation is firmly seated. The guide rails must be attached flush against the mounting substructure without a gap.
- Clean the guide rails. To do this, remove the inspection covers. When mounting, ensure that the neoprene buffer is correctly positioned.
- Change the battery on products with remote control.

5 Warranty

Subject to the statutory period of limitation for warranty claims. This requires regular maintenance. The warranty does not include wear parts or optical changes in line with the type of material used (e.g. bleaching of surfaces caused by UV rays).

Wear parts are

- ▶ End plugs

6 Spare parts/repairs



CAUTION

Personal injury or property damage resulting from inappropriate repairs!

- The product should only be repaired by a qualified specialist.

To ensure that your product operates properly on a continuous basis and to avoid changing its approved status, use WAREMA spare parts only. Contact a qualified specialist for further information if necessary.

7 Dismantling/disposal



CAUTION

Personal injury or property damage from incorrect dismantling!

- The product should only be dismantled by a qualified specialist.

Dismantling and re-installation of the product **must** be undertaken by a qualified specialist in accordance with current guidelines and standards. Be sure to ask the manufacturer for any missing documents before beginning to dismantle or reinstall the product.

Should the product no longer be required, ensure that it is disposed of correctly in accordance with the relevant regulations.

Procedure for disposal



Components identified in this manner should not be disposed of with the household trash.

8 Troubleshooting



CAUTION

Personal injury or property damage during troubleshooting!

- Problems without a reference to a qualified specialist or certified electrician may be rectified independently.
- Other problems are only to be dealt with by a qualified specialist or certified electrician.

Problem	Possible causes	Remedy
Motor is not operating	Motor is malfunctioning	Motor change (specialist only)
	On-site motor connection is incorrect	Reconnect as per wiring diagram (certified electricians only)
	Motor thermal protection switch has triggered	Wait 10 to 15 minutes, then try again Then try again
	There is no current	Check the power supply fuse (certified electricians only)
	A higher-level control command is present	Await switch on/off delay
Drop rail does not move to the required limit position	The limit positions on the motor are incorrectly set	Readjust the motor (specialists only)
Drop profile is moving at a slant	The guide rails are not aligned (uneven substructure)	Align the guide rails (specialists only)
	The guide rails are not correctly positioned	Check the guide rails Correct if necessary (specialists only)

Tab. 2: Overview of possible problems

9 EC Declaration of Conformity

EC Declaration of Conformity

The product:

WAREMA black-out blind ZIP

Type: ZIP VDA

Purpose: Internal sun shading systems

Meets the provisions of **Machinery Directive 2006/42/EC** in the case of motor drives.

In particular, the following harmonised standards were used:

DIN EN 60335-2-97 Household and similar electrical appliances - Safety - Part 2-97: Particular requirements for drives for rolling shutters, awnings, blinds and similar equipment

The safety objectives of Low Voltage Directive 2006/95/EC were guaranteed according to Appendix I No. 1.5.1. of Directive 2006/42/EC.

Person in charge of the compilation of the technical documents: Ralf Simon, for address, see manufacturer.

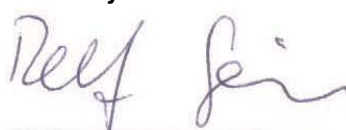
Manufacturer:

**WAREMA Renkhoff SE
Hans-Wilhelm-Renkhoff-Str. 2
97828 Marktheidenfeld
Germany**



Harald Freund

Executive Vice President Operations



Ralf Simon

Head of Research and Development

Marktheidenfeld, July 2011



WAREMA Renkhoff SE Hans-Wilhelm-Renkhoff-Straße 2 97828 Marktheidenfeld, Germany
www.warema.de • info@warema.de